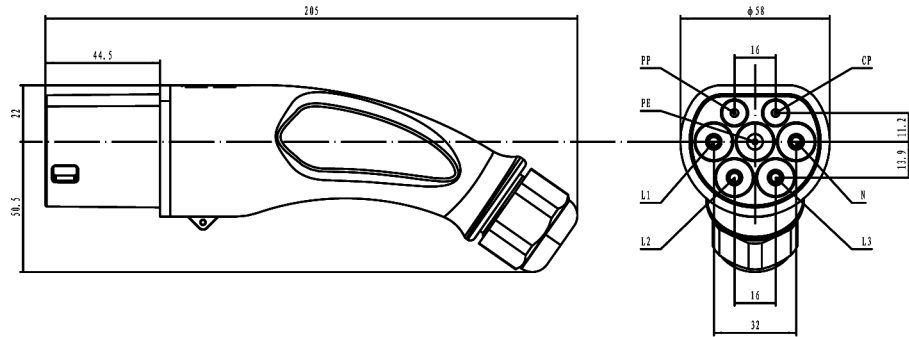
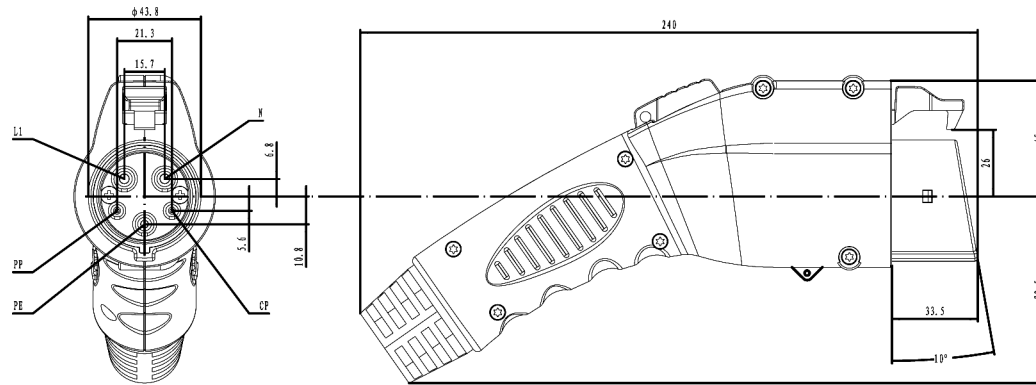


Typr II



Typr I



Cable specification

Function	16A 240V
L1 (1)	2.5 mm ²
N (2)	2.5 mm ²
PE (3)	2.5 mm ²
CP (4)	0.5 mm ²
PP (5)	

Technical parameters

Current and Voltage : 16A 240V AC

Signal current : 2A < 30V DV

Protection Degree : IP54

Charging cable 16A 1P+N+PE+PP+CP

The Plug was designed according to the standard of SAE J1772- 2010
The static resistance is 150 ohm, and the resistance will increase to 480 ohm when pressing the button.

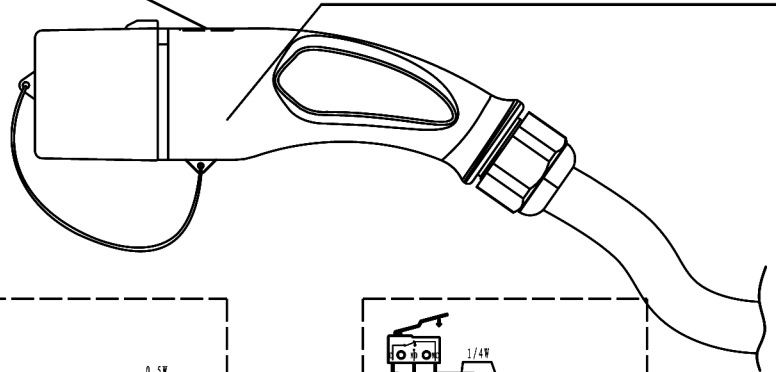
The Plug II ,was designed according to the standard of 62196-2 IEC 2010 sheet 2-IIb

The static resistance is 680 ohm

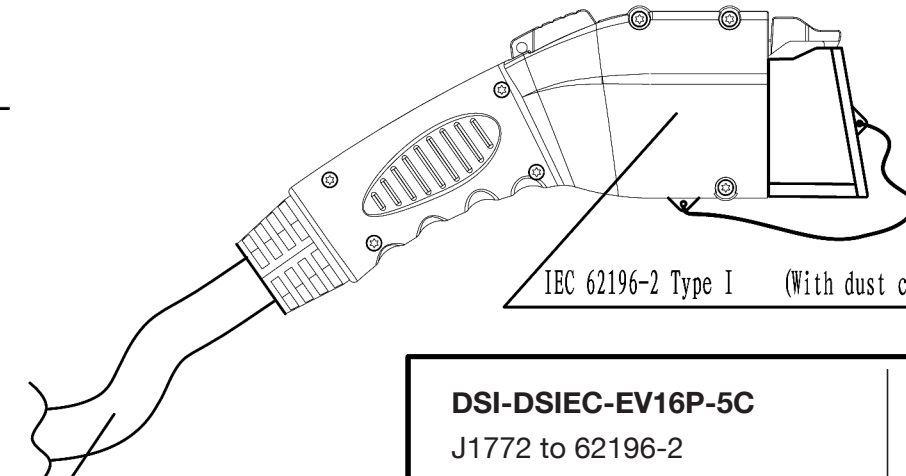
Charging cable 5000mm 3*2.5mm²+2*0.5mm²

(Mark)

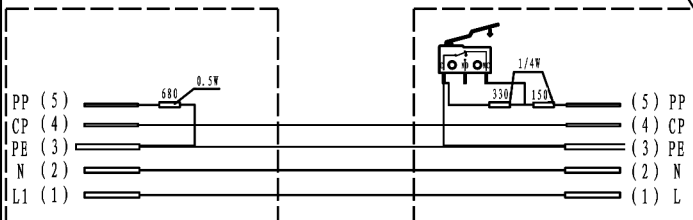
IEC 62196-2 Type II (With dust cover)



IEC 62196-2 Type I (With dust cover)



(Cable length: 5000mm)



DSI-DSIEC-EV16P-5C

J1772 to 62196-2

16a Plug to Plug

5m Cable

Issue No.2 VK 01-03-12



www.e-carconnectors.com

from Foremost Electronics Ltd

